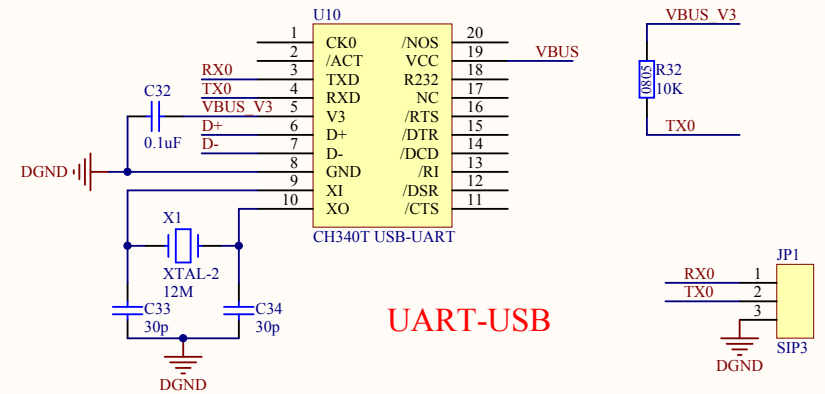
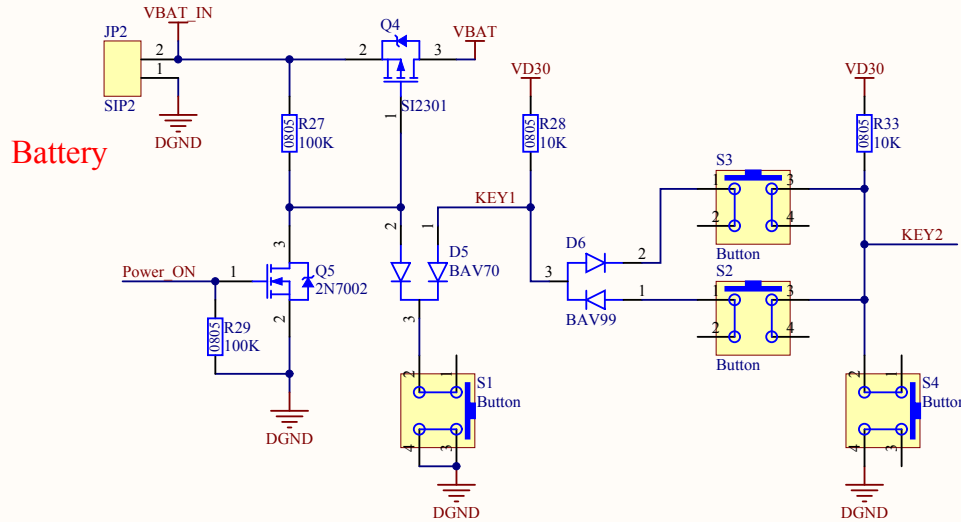
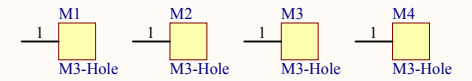
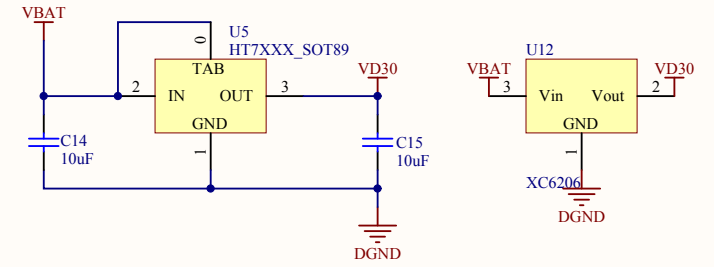
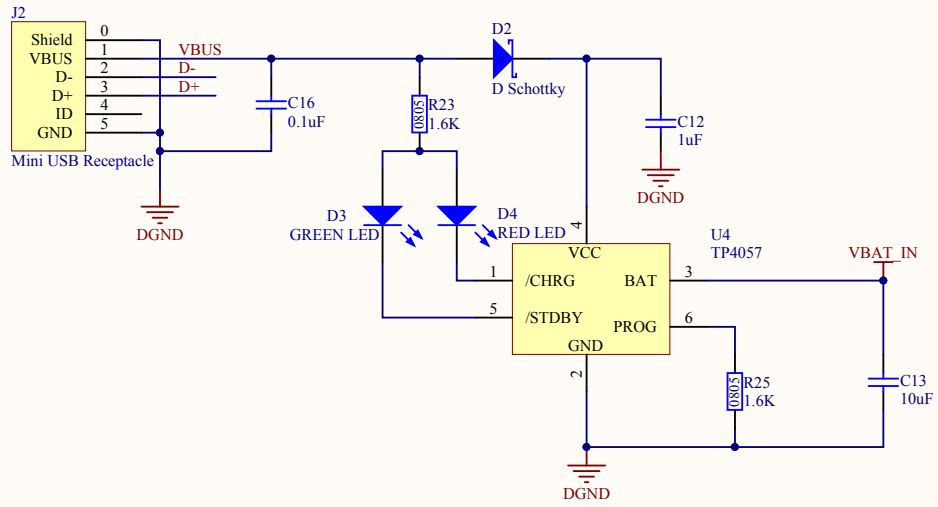
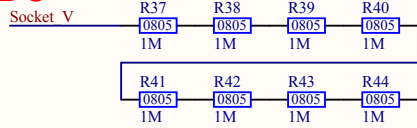


| | | |
|-------|-------------------------|-----------|
| Title | | |
| Size | Number | Revision |
| A4 | | |
| Date: | 2013/5/18 | Sheet of |
| File: | E:\EDA\C8051F350.SchDoc | Drawn By: |

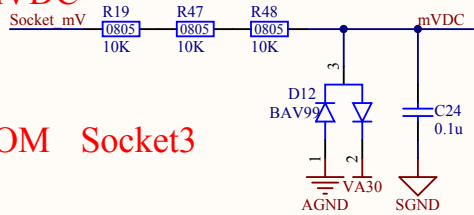


| | | |
|-------|---------------------|-----------|
| Title | | |
| Size | Number | Revision |
| A4 | | |
| Date: | 2013/5/18 | Sheet of |
| File: | E:\EDA\Power.SchDoc | Drawn By: |

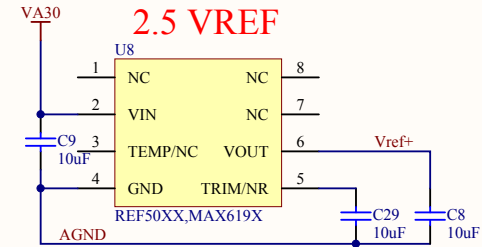
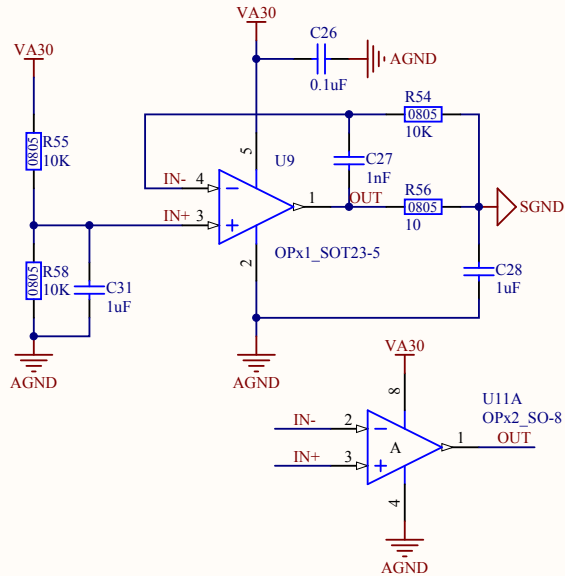
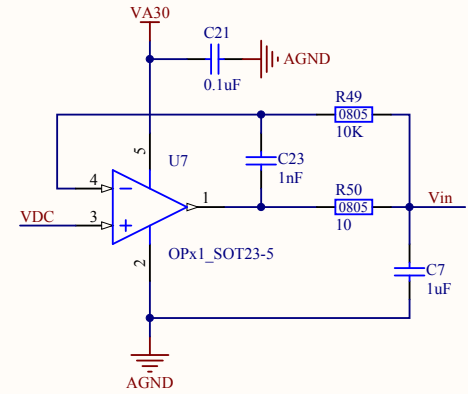
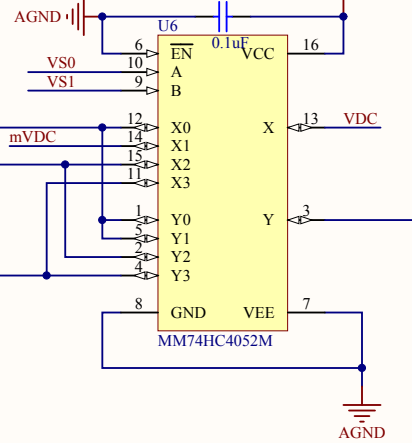
VDC



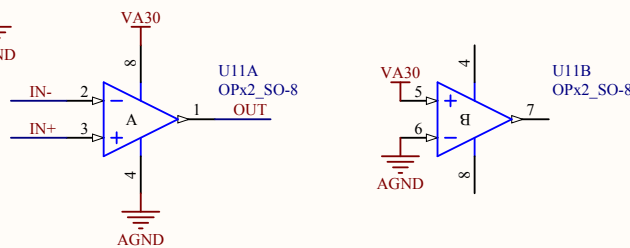
mVDC



COM Socket3



2.5 VREF



| | | |
|-------|-----------------------|-----------|
| Title | | |
| Size | Number | Revision |
| A4 | | |
| Date: | 2013/5/18 | Sheet of |
| File: | E:\EDA_\Winput.SchDoc | Drawn By: |

